

# ClassBuddy™ 10/20

## Technical Spec Sheet

### Introduction

The ClassBuddy™ offers an unrivalled and cost effective solution to store, charge and even update your devices.

Devices are all charged using their own AC adapters which are kept neat and tidy with a simple and effective cable management system. All devices are charged simultaneously in the fastest possible time.

### Devices

Product	No. of devices	Per Shelf
ClassBuddy 10	10	1
ClassBuddy 20	20	2

### Charging

The ClassBuddy™'s ultra-safe power management provides safe simultaneous charging of all devices with quick and easy access. The power management system incorporates three key areas of protection:

1. **Soft-start**
2. **Surge Protection**
3. **Residual Voltage Protection**

These provide the highest level of protection for the user, your equipment and electrical circuits.

Each trolley is naturally ventilated, allowing air to flow through ventilation holes in the base and shelves, and out through the top rear apertures. When using the data transfer option a temperature controlled fan is added to ensure optimum charging temperature.

### Security

Security is provided through the cabinet's construction, piano style hinges and locking mechanisms. There is a rear service door with unique keys for technical staff access only.

### Colours

The ClassBuddy™ is available in two colours as standard (black & blue), along with three special order colors (red, yellow & green).

### Lifetime Parts & Labour Warranty

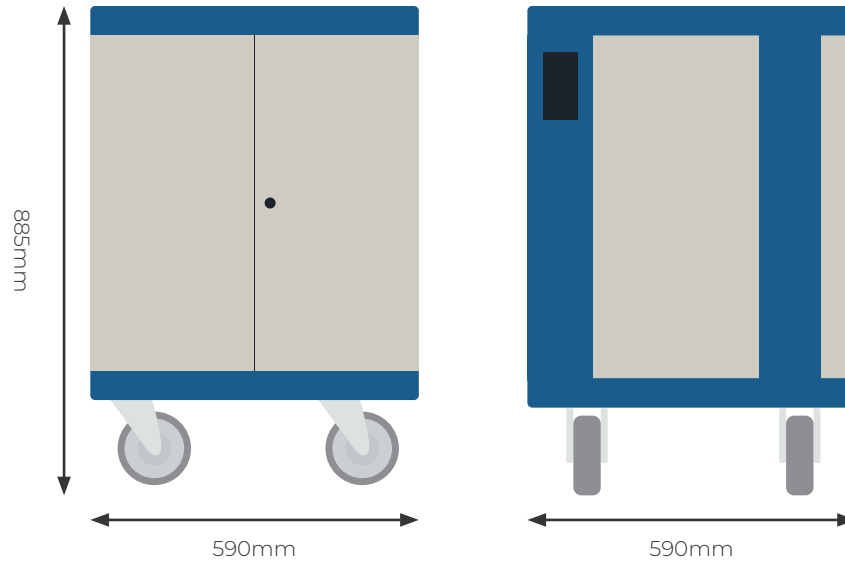
1 year on-site  
Remainder of warranty return to base

### Additional Options

- Data Transfer  
Add data transfer to your trolley to enable updates to your devices whilst charging in the trolley
- Pin Code Lock or Mifare Lock  
Go to keyless locking with our pin code lock or Mifare lock
- Docking Station  
For additional security add a docking station to dock your trolley to a wall
- Timer  
Add a timer to set your trolley to charging during times that are convenient for you

# ClassBuddy™ 10/20

## Weights & Dimensions Guide



### Weights & Dimensions

Description	Width	Height	Depth	Weight
The ClassBuddy™ Trolley	590mm	885mm	590mm	72kg
The ClassBuddy™ Bay Size	515mm	66mm	400mm	N/A

#### Notes

- Remember to allow for your charging cable in the trolley bay size
- All dimensions measured from the front of the ClassBuddy™
- The ClassBuddy™ 20 trolley requires two devices per shelf so you must be able to fit two devices within the available bay size

LapSafe®



[sales@lapsafe.com](mailto:sales@lapsafe.com)



[www.lapsafe.com](http://www.lapsafe.com)



0800 130 3456